

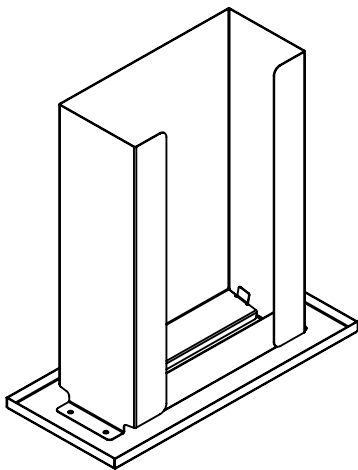
Knight Air Products Ltd. knight-air.co.uk 01772 671581

Technical Data Sheet

Modulo Slimline Behind the Mirror Hand Hygiene System Paper Towel Dispenser

Applicable to product:

92402BK Modulo Slimline Paper Towel Dispenser



Technical Data Sheet

**Modulo Slimline Paper Towel Dispenser
92402BK**

Large capacity paper towel dispenser that works in conjunction with the Modulo Slimline Cabinet.

Product Image:



Product Description:

- Large capacity ideal for busy washrooms
- Chamber is quick and easy to load with paper towels
- Holds up to 3 packs of multi-fold paper towels
- Suitable for most multi-fold paper towels

When used with the Modulo Slimline Cabinet:

- Base plate sits on fixings within the cabinet and is secured into place
- Dispenser can be positioned in multiple locations within the cabinet
- Dispensers and consumables are protected by lockable cabinet door
- Utilises a full modular cabinet space
- Blanking plates available separately if required
- Spare consumables can be conveniently stored on the shelf within the Modulo Slimline cabinet

When used with the Modulo Slimline Shelf:

- Base plate sits on fixings on the shelf and is secured into place
- Dispenser can be positioned in multiple locations on the shelf
- Utilises a full modular shelf space
- Blanking plates available separately if required

Installation options:

- Compatible with the Modulo Slimline Cabinets - available separately
- Compatible with the Modulo Slimline Shelves - available separately
- Suitable for installation within a bespoke cabinet or shelf

Technical Data Sheet

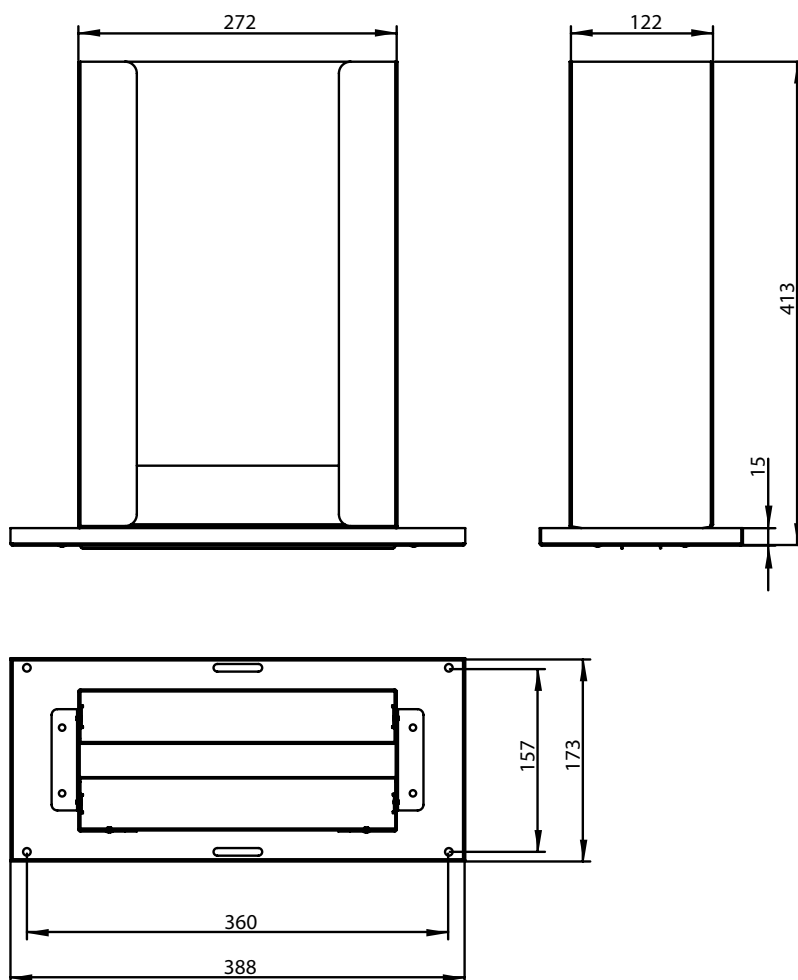
Modulo Slimline Paper Towel Dispenser

92402BK

Product Specification:

Material:	EN 1.4509 Stainless Steel
Dimensions:	W.388mm x H.413mm x D.173mm
Finish:	Matte black powder coated
Weight:	tbc
Packing/Carton:	1 piece
Warranty:	10 years

Line Drawing:



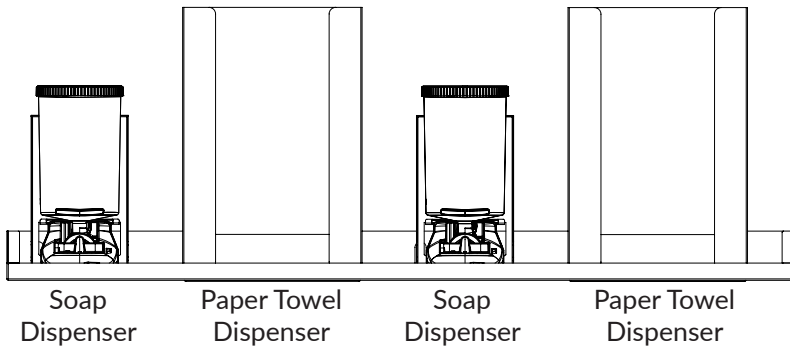
Technical Data Sheet

Modulo Slimline Paper Towel Dispenser

92402BK

Configuration suggestions:

1200mm Unit:



600mm Unit:

